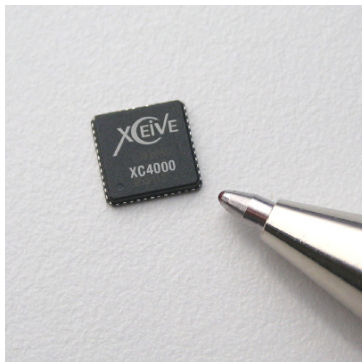




# XC4000 Product Brief

## XC4000 Ultra Small, Hybrid Worldwide Terrestrial TV Receiver



### OVERVIEW

The XC4000 is a single-chip hybrid analog AND digital TV tuner combining both tuning and analog demodulation functions in one small package. It's the logical upgrade for PC and TV applications requiring an economical solution to adding superior performance anywhere low-power and high sensitivity is required.

The XC4000 supports all analog and digital TV formats worldwide in the 42-864MHz band broadcast channels. On-board, high performance, integrated SAW filters, DSP controller and Video and Sound IF significantly reduce the BOM. Plus, Xceive's breakthrough patent-pending technology provides a powerful combination of high dynamic range with a large tunable range that enables superior pictures.

The XC4000 is pin-to-pin compatible and BOM interchangeable with the XC3028. So, manufacturers can migrate to higher performance anytime without costly re-design.

### ONLY XCEIVE TUNERS PROVIDE:

#### Xceive ClearView

Delivers an image that's sharper and cleaner than any conventional CAN tuners.

#### QuickTune

Technology for ultra-fast switching between channels—making channel surfing more enjoyable and general channel scanning far faster.

#### ChannelVista™

The first of its kind, multiple Picture-In-Picture, live on screen. Thanks to Xceive QuickTune technology, this breakthrough feature for the latest TVs requires only one tuner.

### FEATURES:

World's smallest Hybrid TV tuner:

- Fully integrated RF-to-Baseband
- No metal shield required
- Alignment-free
- No external tunable parts

Built-in VIF/SIF circuit

Supports all analog TV standards:

- NTSC, PAL, SECAM
- CVBS, SIF or mono-sound output
- Works well for non-standard signals, including overmodulation

Supports all digital TV standards:

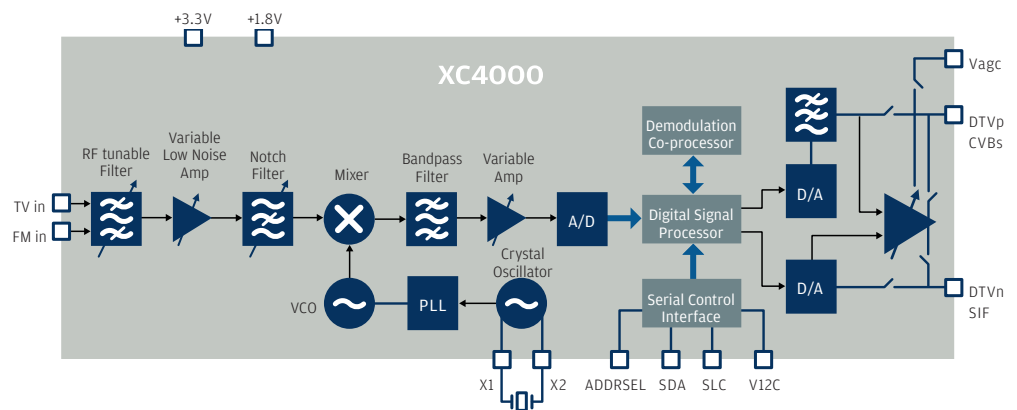
- ATSC, DVB-T, ISDB-T, DMB-TH
- DVB-C/QAM64

Quick tuning supports ChannelVista™

Easily monitors signal performance

IIC bus controlled

Ultra small 48-pin QFN package, Leadfree



# XC4000

## Product Brief

## Ultra Small, Hybrid Worldwide Terrestrial TV Receiver

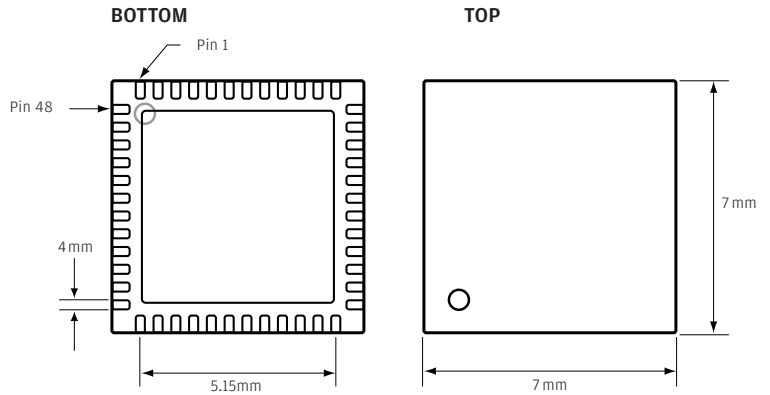
The XC4000 supports all analog and digital TV formats worldwide in the 42-864MHz band.

System	Color Standard	Audio Standard (identifier)
I	PAL	FM + NICAM (I)
B	PAL	FM + FM (B/G-A2)
B	PAL	NICAM + FM (B/G-NICAM)
G	PAL	FM + FM (B/G-A2)
G	PAL	NICAM + FM (B/G-NICAM)
L	SECAM	AM +NICAM (L/DK3)
L'	SECAM	AM +NICAM (L/DK3)
D/K	PAL	FM + FM (DK2)
D/K	PAL	FM + NICAM (DK2)
D/K	SECAM	FM + FM (DK1)
D/K	SECAM	FM + FM (L/DK3)
M/N	NTSC/PAL	FM + FM (M/N-A2)
M/N	NTSC/PAL	BTSC (M/N-BTSC/EIAJ)
M/N	NTSC/PAL	EIAJ (M/N-BTSC/EIAJ)
M/N	NTSC/PAL	MTS Mode <sup>1</sup> (M/N-BTSC/EIAJ)
DTV6	6MHz - ATSC/DVB-C/DVB-T/ISDB-T/DOCSIS	
DTV7	7MHz - DVB-C/DVB-T	
DTV8	8MHz - DVB-C/DVB-T	

<sup>1</sup> In this mode the XC4000 demodulates the BTSC/EIAJ carrier and outputs the corresponding composite sound signal

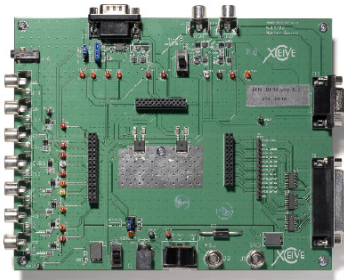
The package type is QFN48 (48 pins)

The thickness of the package is 0.8mm Minimum and 0.9mm Maximum.



### SPECIFICATIONS

Outline Dimensions	7 x 7 x 0.85mm	CTB	-63dBc
Supply Voltage (DC)	1.8V, 3.3V	Image rejection	60dB
System setting time	5ms	AGC range	90dB
Input Impedance	75 ohms	Video SNR (unweighted)	50dB
VSWR (typical)	2.5	Frequency range	42-864MHz
Noise Figure (typical)	5dB	Power Dissipation	<1.1W
Phase noise @10KHz (typical)	-85dBc		



### EVALUATION BOARDS

Xceive makes available evaluation boards for select customers. Each evaluation kit contains a test module, detailed application notes to guide installation and software. To inquire about receiving evaluation boards, contact us at: [sales@xceive.com](mailto:sales@xceive.com)



### US Corporate Headquarters

3900 Freedom Circle, Suite 200  
 Santa Clara, CA 95054  
 Telephone: 408-486-5610  
 Sales: 408-486-5610 ext. 100  
 FAX: 408-486-5615  
 e-mail: [sales@xceive.com](mailto:sales@xceive.com)

©2007, Xceive Corporation. All rights reserved. Xceive QuickTune, ClearView and ChannelVista are trademarks of Xceive. The information in this document is believed to be accurate and reliable. Xceive assumes no responsibility for any consequences arising from the use of this information, nor from any infringement of patents or the rights of third parties that may result from its use. No license is granted by implication or otherwise under any patent or other rights of Xceive. The information in this publication replaces and supersedes all information previously supplied, and is subject to change without notice. Contact Xceive in order to obtain the latest device specification sheets before using any Xceive device.